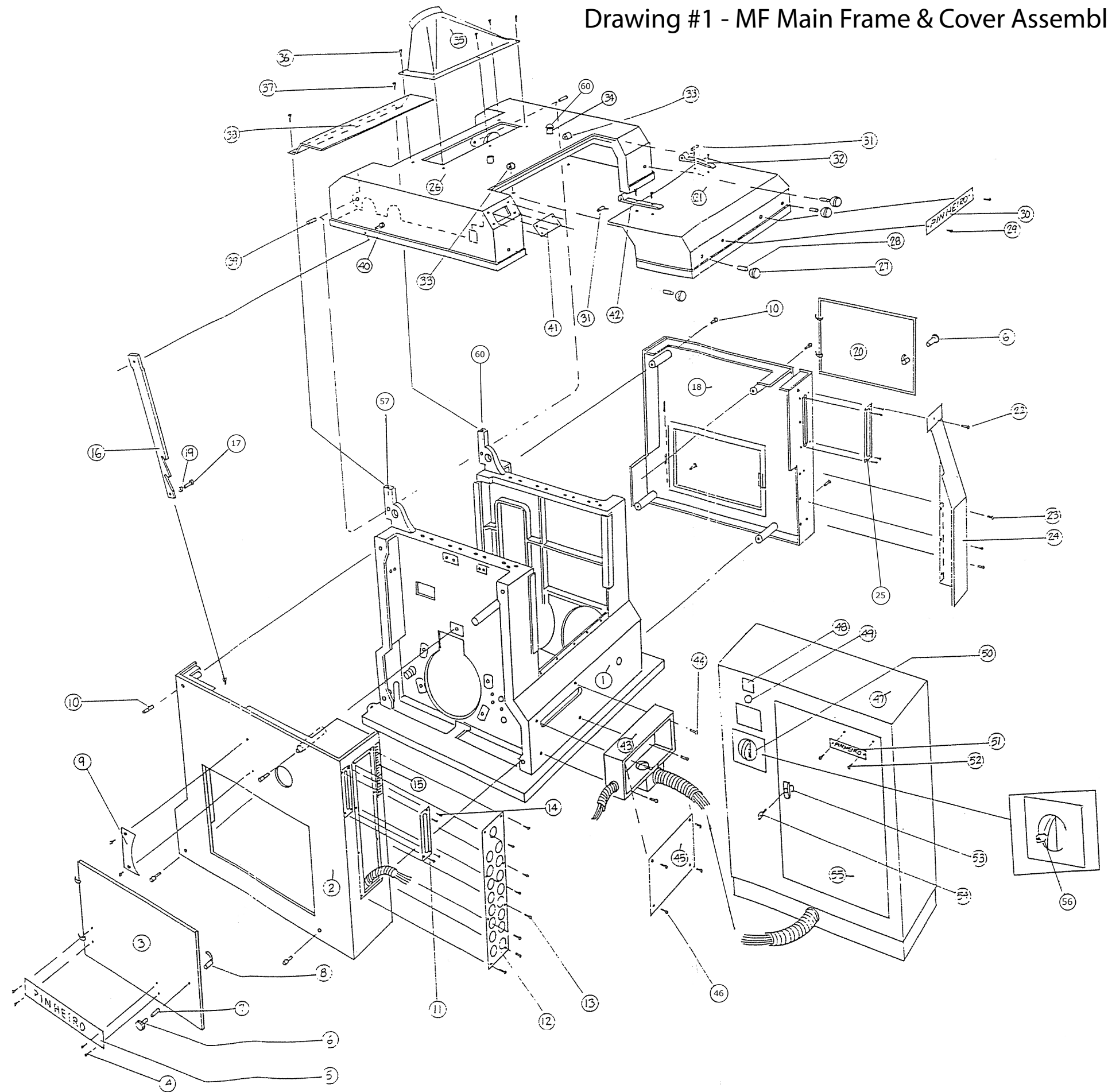
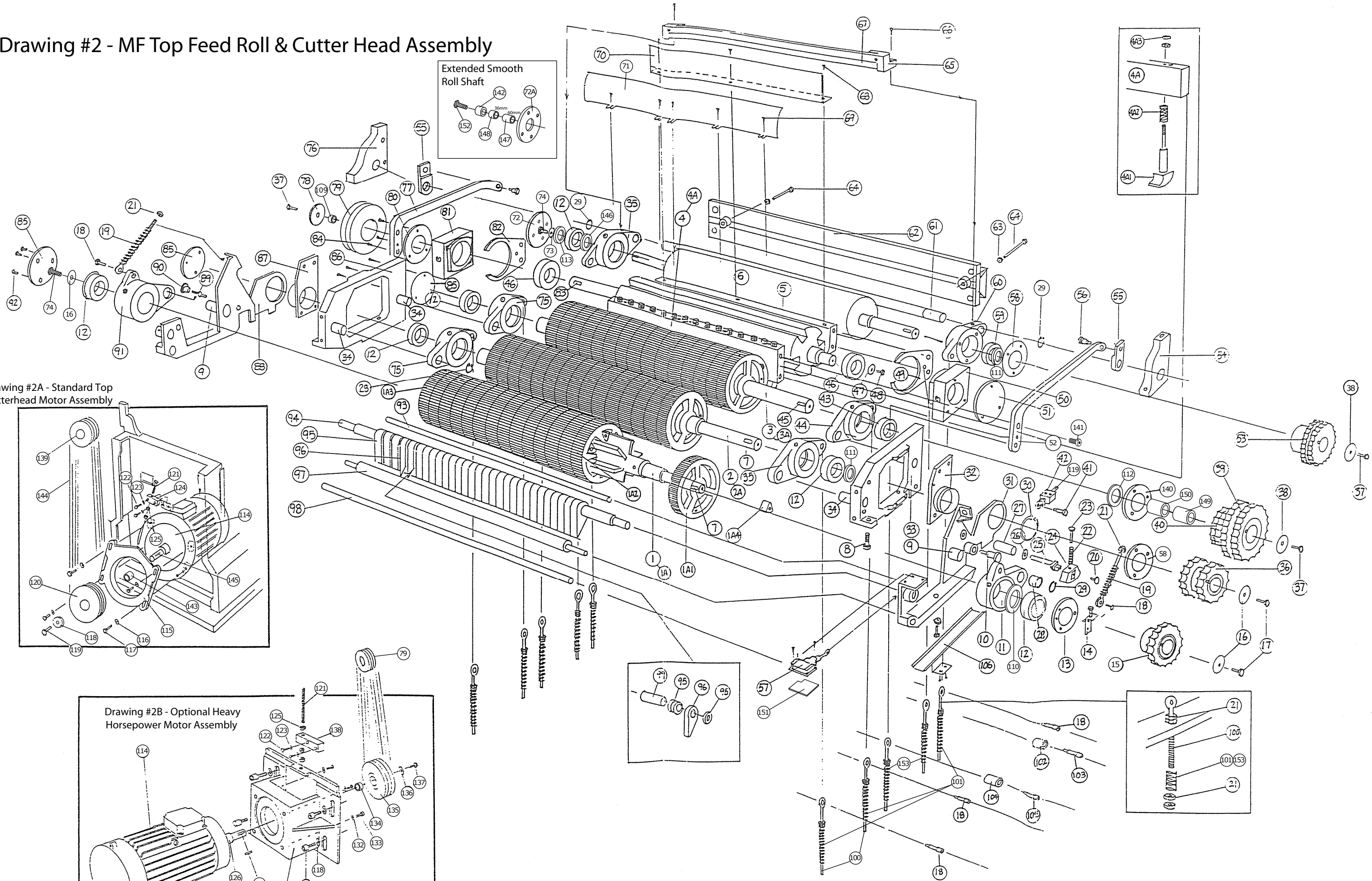


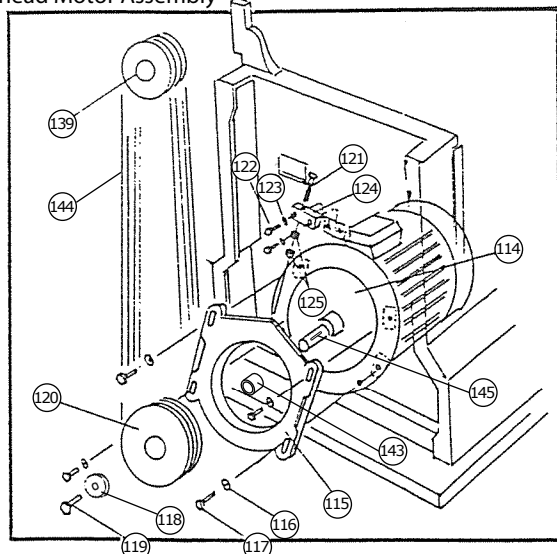
Drawing #1 - MF Main Frame & Cover Assembly



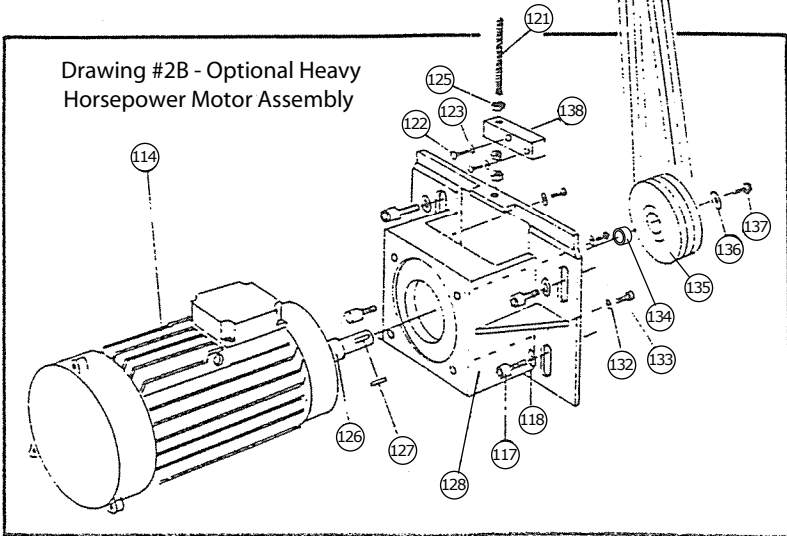
Drawing #2 - MF Top Feed Roll & Cutter Head Assembly



Drawing #2A - Standard Top Cutterhead Motor Assembly



Drawing #2B - Optional Heavy Horsepower Motor Assembly



DRAWING #2
MF TOP FEED ROLL & CUTTER HEAD ASSEMBLY

1.	P-650242	FIRST INFEED ROLL SECTIONAL SHAFT
	P-650242A	FIRST INFEED ROLL ASSEMBLY
	P-31094	FIRST INFEED ROLL SOLID AGGRESSIVE
1A1.	P-650240	RIGHT ENDCAP
1A2.	P-37033	FEED ROLL SECTION
1A3.	P-650243	LEFT ENDCAP
1A4.	P-950020	RUBBER INSERTS
2.	P-650241	2 ND INFEED ROLL SECTIONAL SHAFT
	P-650241A	2 ND INFEED ROLL ASSEMBLY
	P-34264	2 ND INFEED ROLL SOLID AGGRESSIVE
3.	P-650317	3 RD INFEED ROLL SECTIONAL SHAFT
	P-650317A	3 RD INFEED ROLL ASSEMBLY
	P-31093	3 RD INFEED ROLL SOLID AGGRESSIVE
4.	P-650207	CHIPBREAKER BAR
	P-650207A	CHIPBREAKER BAR ASSEMBLY (OLD)
	P-8864	SOLID CHIPBREAKER BAR
4A1	P-31661	CHIPBREAKER SHOE
4A2	P-225004	CHIPBREAKER SHOE SPRING
4A3	M12 X 1.75	NUTS
5.	T-31688A	TOP HEAD
6.	P-29067	SOLID SMOOTH OUFEEED ROLL
7.	10X8X32MM	KEY

8.	M10X50	BOLT & NUT (M10)
9.	P-8930	PIVOT PIN
10.	P-31014	INFEED ROLL RELEASE HANDLE (RT)
11.	P-8790	1 ST INFEED ROLL BEARING HOUSING (RT)
12.	B-2207	1 ST &2 ND BOTH; 3 RD LT.& 4 TH LT. BEARING
13.	P-50294	BEARING HOUSING COVER (N/S)
14.	P-29171A	LIMIT SWITCH STOP ASSEMBLY
15.	P-924	1 ST INFEED ROLL SINGLE SPROCKET
16.	P-50762	WASHER
17.	M12X30	BOLT
18.	P-31676	SHOULDER BOLT
19.	P-30938	EYE BOLT
	P-220007	SPRING
	M12	WASHERS (2)
20.	M6X10	BOLT
21.	M12	NUT (2)
22.	P-220019	CHAIN TENSION SPRING
23.	M8X50	BOLT
24.	P-29177	CHAIN TENSION
25.	P-29177A	CHAIN TENSION ASSEMBLY
	P-31043	CHAIN TENSION ADJUSTMENT STUD
26.	M16	NUT
27.	P-8813	CHAIN TENSION MOUNT STUD
28.	MB3030DU	1 ST FEED ROLL PIVOT PIN BUSHING

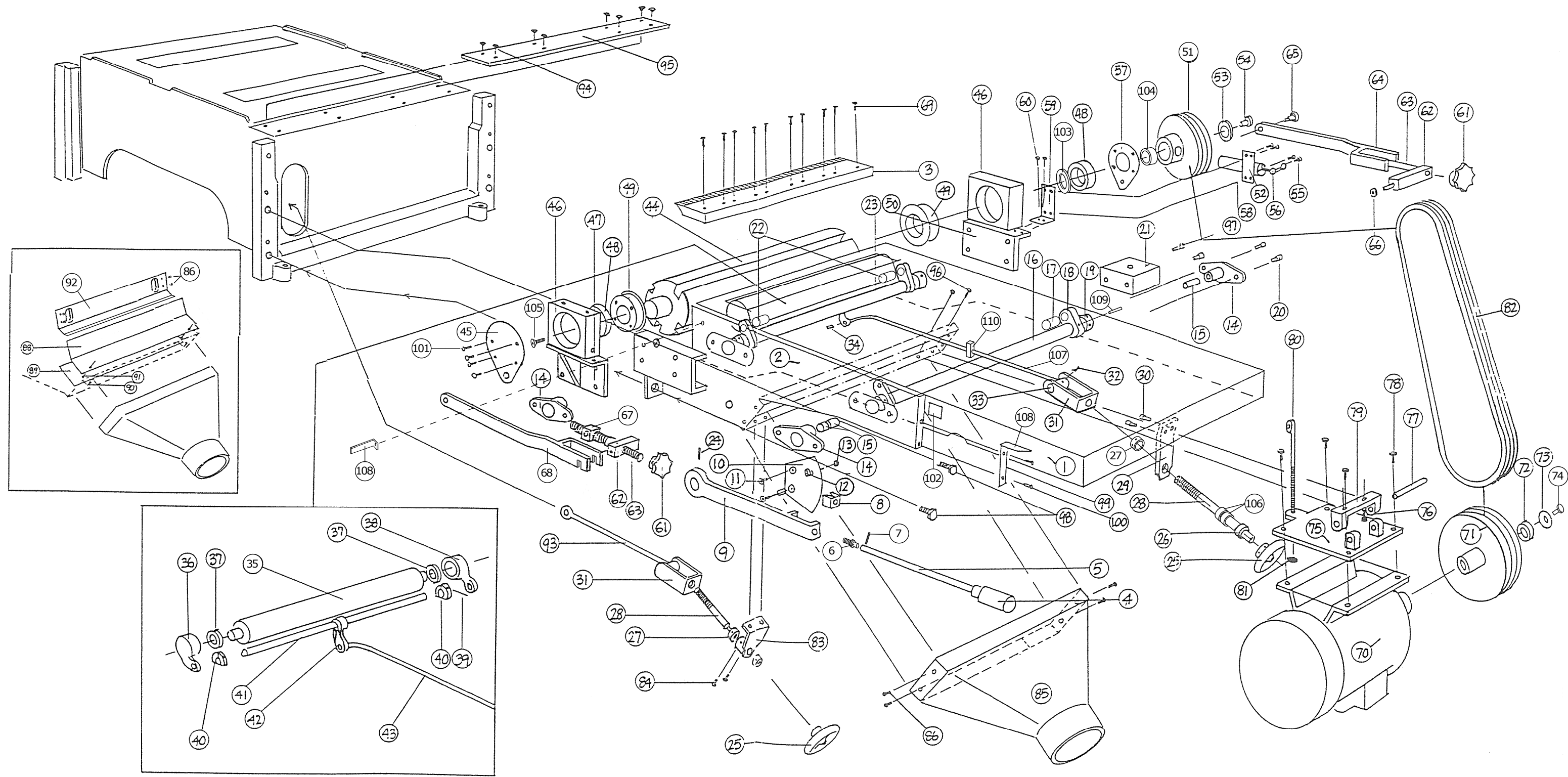
29.	M30	EXTERIOR SNAP RING
30.	M95	EXTERIOR SNAP RING
31.	P-28385	1 ST FEED ROLL SUPPORT (RT)
32.	P-31065	STANDARD PIVOT SUPPORT (RT)
	P-8817	MULTI-SAW PIVOT SUPPORT (RT)
33.	P-8752	FEED ASSEMBLY SUPPORT (RT)
34.	P-928	2 ND FEED ROLL PIVOT PIN
35.	P-8804	2 ND FEED ROLL BEARING HOUSING (RT)
		4 TH FEED ROLL BEARING HOUSING (LT)
36.	P-925	2 ND FEED ROLL DOUBLE SPROCKET
37.	M16X40	BOLT
38.	P-50764	WASHER
39.	P-29060A	3 RD FEED ROLL TRIPLE SPROCKET
40.	P-29064	SINGLE SPROCKET SOLD WITH P-29060A
41.	P-31675	CANTING MECHANISM SHOULDER BOLT
42.	P-29163A	CANTING MECHANISM ASSEMBLY
43.	B-2209	3 RD FEED ROLL BEARING (RT)
44.	P-28409	3 RD FEED ROLL BEARING HOUSING (RT)
45.	M14X9X50	KEY
46.	B-2308	TOP HEAD BEARING (LT & RT)
47.	P-52567	TOP HEAD WASHER (RT)
48.	D87M16X40 LH	TOP HEAD BEARING RETAINING BOLT (RT)

49.	P-30986	TOP HEAD HORSE SHOE (RT)
50.	P-29083	TOP HEAD BEARING HOUSING (RT, 4 KNIFE)
51.	P-650670	TOP HEAD BEARING HOUSING (RT, 6 KNIFE)
	P-51967	BEARING HOUSING COVER (N/S, RT)
52.	P-29085	CHIP BREAKER SWING ARM (RT)
53.	P-29061	OUTFEED ROLL SPROCKET
54.	P-28322	DOVETAIL SUPPORT (RT)
55.	P-847	SWING ARM PIVOT ARM (BOTH SIDES)
56.	P-898	SWING ARM PIVOT PIN (BOTH SIDES)
57.	E-ZCK-M	W/ZCK-D15 LIMIT SWITCH
58.	P-50294	OUTFEED BEARING HOUSING COVER (RT)
59.	B-NKIS45	OUT FEED ROLL BEARING (RT)
60.	P-8943	OUTFEED BEARING HOUSING (RT)
61.	P-8867	OUTFEEDROLL& CHIPBREAKER PIVOT SHAFT
62.	P-29142NEW	DOVETAIL NEW
63.	M10	ADJUSTING NUT FOR DOVETAIL
64.	M10X100	CHIP BREAKER ADJUSTING BOLT
65.	P-24295A	BRASS SCRAPPER MOUNT
66.	M-8X25	BRASS SCRAPPER MOUNT BOLT
67.	P-24295	BRASS SCRAPPER
68.	M6X12	BOLT
69.	M6X16	BOLT
70.	P-29121	CHIP DEFLECTOR FOR PRESSURE BAR
71.	P-31689	CHIP DEFLECTOR FOR CHIPBREAKER

72.	P-51959	OUTFEEDROLL BEARING HOUSING COVER (LT) WITH HOLE
72A.	P-50294	OUTFEEDROLL BEARING HOUSING COVER (LT) W/O HOLE
73.	P-51571	WASHER
74.	P-M12X25LH (DIN 558)	BOLT, LEFT HAND THREAD ALL FEEDROLLS OUTBOARD
75.	P-8805	2 ND & 3 RD INFEED ROLL BEARING HOUSING (LT)
76.	P-28323	DOVETAIL SUPPORT (LT)
77.	P-29084	CHIPBREAKER SWING ARM (LT)
78.	P-650683	TOP HEAD SHEAVE WASHER
79.	P-650580	TOP HEAD SHEAVE, STANDARD
79A.	P-650308	TOP HEAD SHEAVE, SLOW SPEED
80.	P-50374	TOP HEAD BEARING HOUSING COVER (LT)
81.	P-29082	TOP HEAD BEARING HOUSING (LT, 4 KNIFE)
82.	P-650669	TOP HEAD BEARING HOUSING (LT, 6 KNIFE)
	P-650715	TOP HEAD BEARING HOUSING (LT 4, TERSA)
	P-30987	TOP HEAD HORSE SHOE (LT)
83.	M12X8X56	KEY
84.	M8X20	TAPERED ALLEN HEAD BOLTS
85.	P-51959	1 ST , 2 ND , 3 RD , BEARING HOUSE COVERS (LT)
86.	P-8753	FEED ASSEMBLY SUPPORT (LT0)
87.	P-8816	MULTI-SAW PIVOT SUPPORT
	P-31064	STANDARD PIVOT SUPPORT
88.	P-28384	1 ST FEED ROLL SUPPORT (LT)
89.	P-29119	RELEASE HANDLE PIN
90.	P-24359	INFEEDROLL RELEASE HANDLE (LT)
91.	P-8789	1 ST FEEDROLL BEARING HOUSING (LT)

92.	M6X20	TAPERED ALLEN HEAD BOLT
93.	P-28378	ANTI-KICKBACK FINGERS STOP ROD (N/S)
94.	P-28383	ANTI-KICKBACK FINGERS ROD
95.	P-28381	ANTI-KICKBACK FINGERS SPACER
96.	P-28376	ANTI-KICKBACK FINGERS
97.	P-28379	ANTI-KICKBACK FINGERS STOP ROD
98.		TUBE TO PROTECT LIMIT SWITCH WIRES
99.	P-53242	SPACER
100.	P-30947	EYE BOLT
101.	P-220007	SPRING, FEEDROLLS
102.	P-29131	HORSESHOE EYEBOLT SPACERS
103.	P-53264	SPACER
	P-31674	HORSESHOE EYEBOLT SHOULDER BOLT
104.	P-53216	CHIPBREAKER EYEBOLT SPACER
105.	P-53264	SPACER
	P-31675	CHIPBREAKER EYEBOLT SHOULDER BOLT
106.	P-29176	CHAIN GUARD (N/S)
107.	P-30988	PRESSURE BAR
108.		
109.	P-53213	SPACER TOP HEAD
110.	P-8972	SPACER FIRST FEED ROLL
111.	P-8971	SPACER 2 ND . ROLL & SMOOTH ROLL
112.	P-28405	SPACER 3 RD . FEED ROLL
113.	P-31649	SPACER
114.		TOP HEAD MOTOR
115.	P-8796	MOTOR MOUNT
116.	M16	MOTOR MOUNT WASHER
117.	M16X2X60	MOTOR MOUNT BOLT
118.	P-52566	WASHER (12&18HP)

Drawing #3 - MF Infeed Table & Bottom Cutter Head Assembly

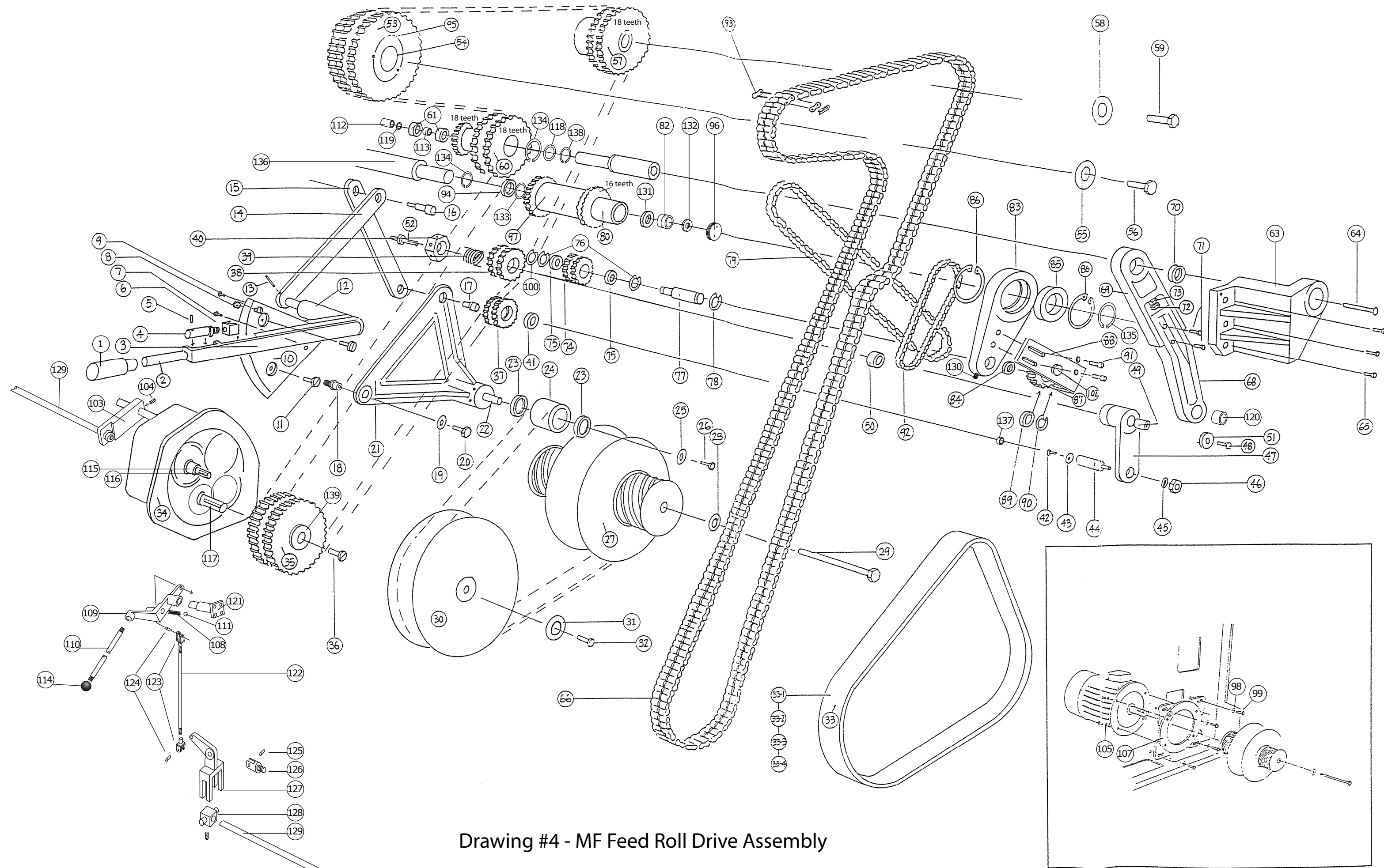


DRAWING #3
MF INFEED TABLE & BOTTOM CUTTER HEAD ASSEMBLY

1.	P-8947	INFEED TABLE
2.	P-8832A	INFEED TABLE ASSEMBLY
3.	P-30990	10 HOLE FINGER PLATE
	P-8987	9 HOLE FINGER PLATE
4.	P-30999	TABLE ADJUSTMENT HANDLE
5.	P-744	TABLE ADJUSTMENT HANDLE ROD
6.	P-241	ADJUSTING STUD
7.	5X18MM	PIN
8.	P-236	WEDGE BLOCK
9.	P-859	TABLE ADJUSTMENT ARM
10.	P-802	V-WEDGE
11.	M10X25	ALLEN CAP BOLTS (2)
12.	P-29120	LIMIT BOLT
13.	M10	NUT
14.	P-805	"T" HOUSING
15.	MB3020DU	BUSHINGS, 2
16.	P-8880	TABLE ADJUSTMENT SHAFT (FRONT)
17.	P-8982	TABLE ADJUSTMENT PIVOT PIN
18.	P-817	TABLE ADJUSTMENT SHAFT PIVOT ARM
19.	P-8894	TABLE ADJUSTMENT SHAFT COLLAR
20.	M10X20	ALLEN CAP BOLT
21.	P-8766	FENCE MOUNT
22.	P-8878	TABLE ADJUSTMENT PIVOT PIN
23.	P-8880	BOTTOM FEED ROLL PIVOT SHAFT
24.	S-TP8X50	8X50MM TAPERED PIN
25.	P-51892	BOTTOM IDLER ROLL ADJ. CAST HAND WHEEL
26.	P-29044	BUSHING
27.	P-50123	COLLAR
28.	P-8719	BOTTOM IDLER ROLL ADJ. SHAFT
29.	P-830	ADJ. SHAFT SUPPORT BRACKET
30.	M12X35	BOLTS
31.	P-762	"U" BRACKET
32.	5X24MM	SPLIT PIN
33.	P-780	PIVOT PIN
34.	P-900	RETAINING PIN
35.	P-8902	INFEED IDLER ROLL

36.	P-8842	INFEED IDLER ROLL SWING ARM (LT)
37.	B-6202-2RS	INFEED IDLER ROLL BEARINGS (2)
38.	P-8831	INFEED IDLER ROLL SWING ARM (RT)
39.	M10X30	BOLT
40.	P-777	IDLER ROLL CAM
41.	P-8877	IDLER ROLL PIVOT ROD
42.	P-834	PIVOT ARM
43.	P-864	CONNECTING ROD
44.	T-31687	BOTTOM HEAD
45.	P-837	BOTTOM HEAD BEARING HOUSING COVER ((LT)
46.	P-31685H P-31685	BOTTOM HEAD BEARING HOUSING H
47.		BOTTOM HEAD BEARING BRACKET (LT)
48.	B-1308	BOTTOM HEAD BEARINGS (BOTH SIDES)
49.	P-838	BOTTOM HEAD BEARING HOUSING INSERTS
50.		BOTTOM HEAD BEARING BRACKET (RH)
51.	P-650719	BOTTOM HEAD SHEAVE 4-GROOVE
	P-650580	BOTTOM HEAD SHEAVE 3-GROOVE
	P-650308-B	BOTTOM HEAD SHEAVE 2-GROOVE SLOW SPEED
	P-650308	BOTTOM HEAD SHEAVE 3-GROOVE SLOW SPEED
52.	P-8954A	BOTTOM HEAD LOCK ASSEMBLY
53.	P-51571	BOTTOM HEAD SHEAVE WASHER
54.	M16X40	BOLT
55.	M6X20	BOLTS
56.	P-8965	BOTTOM HEAD LOCKING HANDLE
57.	P-797	BOTTOM HEAD BEARING HOUSING COVER (RT)
58.	P-8954	BOTTOM HEAD LOCK HOUSING
59.	P-8967	BOTTOM HEAD LOCK ASSEMBLY MOUNT

60.	M8X20	BOLTS
61.	P-50014	BOTTOM HEAD ADJ. KNOB
62.	P-813	BOTTOM HEAD ADJ. SCREW SUPPORT BLOCK
63.	P-8881	BOTTOM HEAD ADJ. SCREW
64.	P-8838	BOTTOM HEAD ADJ. ARM
65.	P-791	BOTTOM HEAD ADJ. ARM SHOULDER BOLT
66.	M12	NUT
67.	P-828	PIVOT BLOCK
68.	P-8839	BOTTOM HEAD ADJ. ARM
69.	M6X16	TAPERED HEAD FINGER PLATE BOLTS
70.	12HP/18HP	BOTTOM HEAD MOTOR
71.	P-650681	BOT. HEAD MOTOR SHEAVE (2GR/10HP)
	P-650679	BOT. HEAD MOTOR SHEAVE (3GR/12&18HP)
	P-650679-2	BOT. HEAD MOTOR SHEAVE (2GR/12HP)
	P-650598	BOT. HEAD MOTOR SHEAVE (3GR/24HP)
72.	P-650717	BOT. HEAD MOTOR SHEAVE (4GR/24HP)
	P-8872	BOTTOM HEAD MOTOR SHEAVE SPACER
73.	P-52566	BOTTOM HEAD MOTOR SHEAVE WASHER
74.	M12X30	TAPERED HEAD ALLEN BOLT
75.	P-8923	BOTTOM HEAD MOTOR MOUNT PLATE
76.	M10X40	BOLT FOR BOTTOM HEAD PIVOT
77.	P-31686	BOTTOM HEAD MOTOR MOUNT PIVOT ROD
78.	M10X35	BOLTS
79.	P-MTRMNT	PART OF INFEED TABLE BOTTOM HEAD PIVOT
80.	P-30947	BOTTOM HEAD MOTOR ADJ. EYEBOLT
81.	M12X1.75	NUT



Drawing #4 - MF Feed Roll Drive Assembly

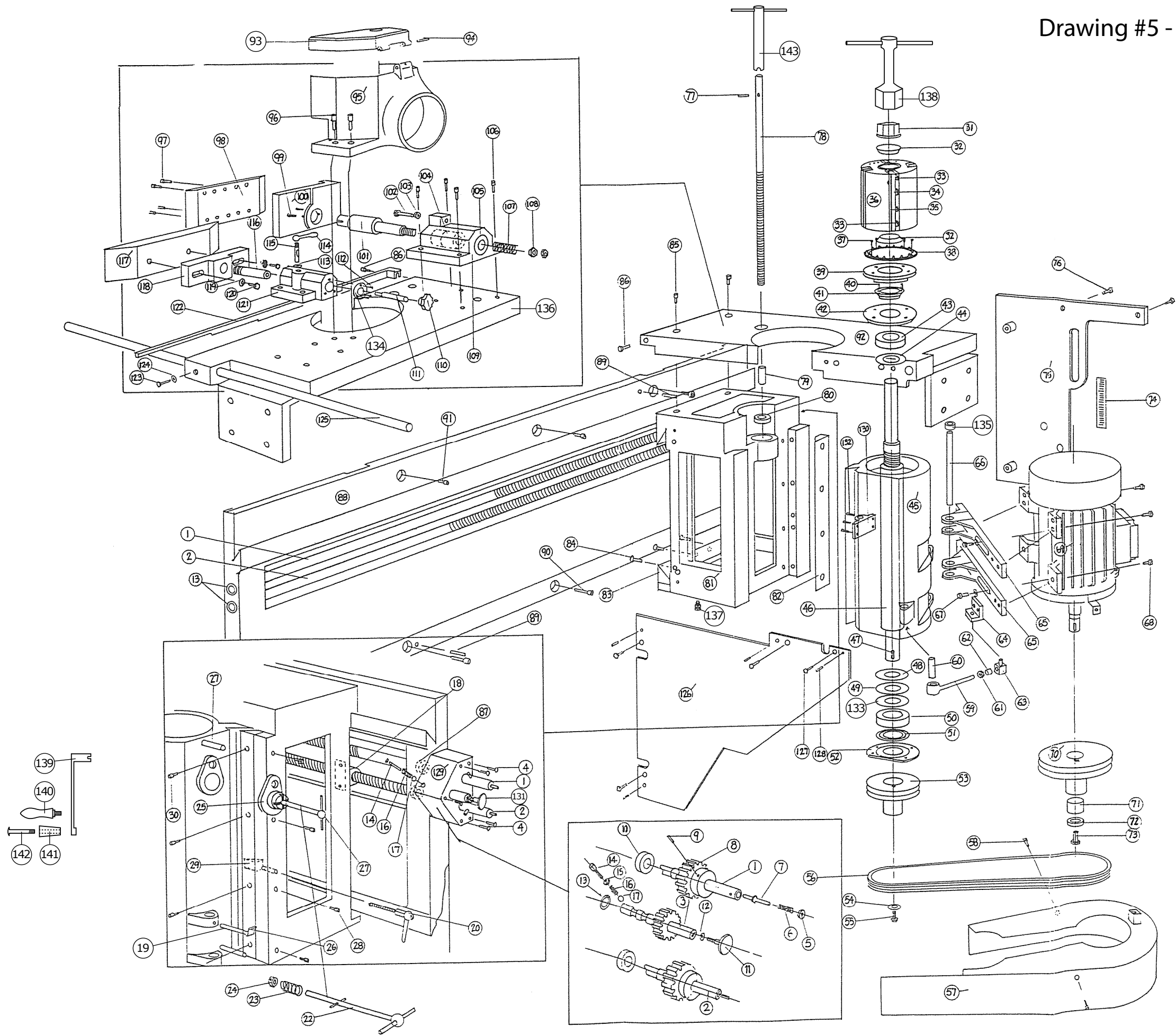
DRAWING #4
MF FEED ROLL DRIVE ASSEMBLY

1.	P-30999	FEED SYSTEM ADJ. HANDLE
2.	P-31063	FEED SYSTEM ADJ. HANDLE ROD
3.	P-779	FEED SYSTEM ADJ. HANDLE ARM
4.	P-241	ADJ. PIN
5.	M5X18	SPLIT PIN
6.	P-236	WEDGE BLOCK
7.	M12X30	BOLTS
8.	M10	NUT
9.	M6X12	BOLT
10.	P-994	V-WEDGE
11.	M12X30	TAPER HEAD BOLTS
12.	P-1144	FEED SYSTEM ADJ., ARM PIVOT
13.	M6X45	TAPERED PIN
14.	P-748	CONNECTING ARM
15.	P-1107	CONNECTION ARM
16.	P-8798	SHOULDER BOLT
17.	P-8798	SHOULDER BOLT
18.	P-31657	PIVOT STUD
19.	P-50761	WASHER, TRIANGLE BRACKET, ORIGINAL
19A.	P-50761-RV	WASHER, TRIANGLE BRACKET, NEW
20.	M10X20	BOLT
21.	P-31037	TRIANGLE BRACKET
22.	P-31040	IDLERS SHAFT
23.	B-6202-2RS	IDLER BEARINGS
24.	P-1104	IDLER SHEAVE
25.	P-50753	WASHER
26.	M6X16	BOLT
27.	011193-28P	LOVEJOY PULLEY
28.	P-50751	WASHER DRILLED TO FIT 10MM BOLT

29.	M10X90	BOLT FOR LOVEJOY PULLEY
30.	P-650660-8	8" COMPANION SHEAVE
	P-29175	9-3/4" COMPANION SHEAVE
	P-650661	12" COMPANION SHEAVE
31.	P-50761	WASHER
32.	M10X25	BOLT
33.	V-2322V481	FOR 8" COMPANION SHEAVE
	V-2322V521	FOR 9-3/4" COMPANION SHEAVE
	V-2322V541	FOR 12" COMPANION SHEAVE
34.	P-CV2	CV2 GEAR BOX
35.	P-7496	DOUBLE SPROCKET FOR CV2 GEAR BOX (STANDARD SPEED)
36.	M12X30	BOLT
37.	P-29080	BOTTOM IDLER DOUBLE SPROCKET
38.	P-29081	TOP IDLER DOUBLE SPROCKET
39.	P-210009	IDLER SPRING
40.	P-29052	SPRING NUT
41.	MB2530DU	BUSHING
42.	M8X20	BOLT
43.	P-50751	WASHER
44.	P-29053	BOTTOM IDLER SHAFT
45.	M16	WASHER
46.	M16	NUT
47.	P-29051	IDLER ARM
48.	M8X20	BOLT
49.	MB2020DU	BUSHING
50.	MB4530DU	BUSHING

51.	P-50751	WASHER
52.	P-29054	TOP IDLER SHAFT
53.	P-29060A	3 RD FEED ROLL TRIPLE SPROCKET
54.	P-29064	SINGLE SPROCKET PART OF 29060A
55.	P-50764	WASHER
56.	M16X40	BOLT
57.	P-29061	OUTFEED ROLL DOUBLE SPROCKET
58.	P-50764	WASHER
59.	M16X40	BOLT
60.	P-29188A	TRIPLE SPROCKET ASSEMBLY
61.	B-NUP204	BEARINGS (2)
62.	P-29185	TRIPLE SPROCKET SHAFT
63.	P-29046	TRIPLE SPROCKET SUPPORT MOUNT
64.	M10X160	SOCKET HEAD CAP SCREW
65.	M12X45	BOLT (3)
66.	RS12B-2	CHAIN (72 LINKS)
67.	P-29188-A	PART OF 29188A (TRIPLE SPROCKET ASSEMBLY)
68.	P-30042	BOTTOM FEED ARM (BOTTOM HALF)
69.	P-30043	BOTTOM FEED ARM (TOP HALF)
70.	MB3530	BUSHING
71.	M10X25	SOCKET HEAD CAP SCREW (2)
72.	M10X40	ADJ. BOLT
73.	M10	NUT
74.	P-30054	DOUBLE SPROCKET
75.	B-6003-2RS	BEARINGS(2) BED ROLL DRIVE
76.	35MM	SNAP RING (INT. 2)
77.	P-29048	DOUBLE SPROCKET SHAFT
78.	30MM	SNAP RING (EXT.)
79.	RS10B	CHAIN (24 LINKS + MASTER)

Drawing #5 - Sidehead Assembly



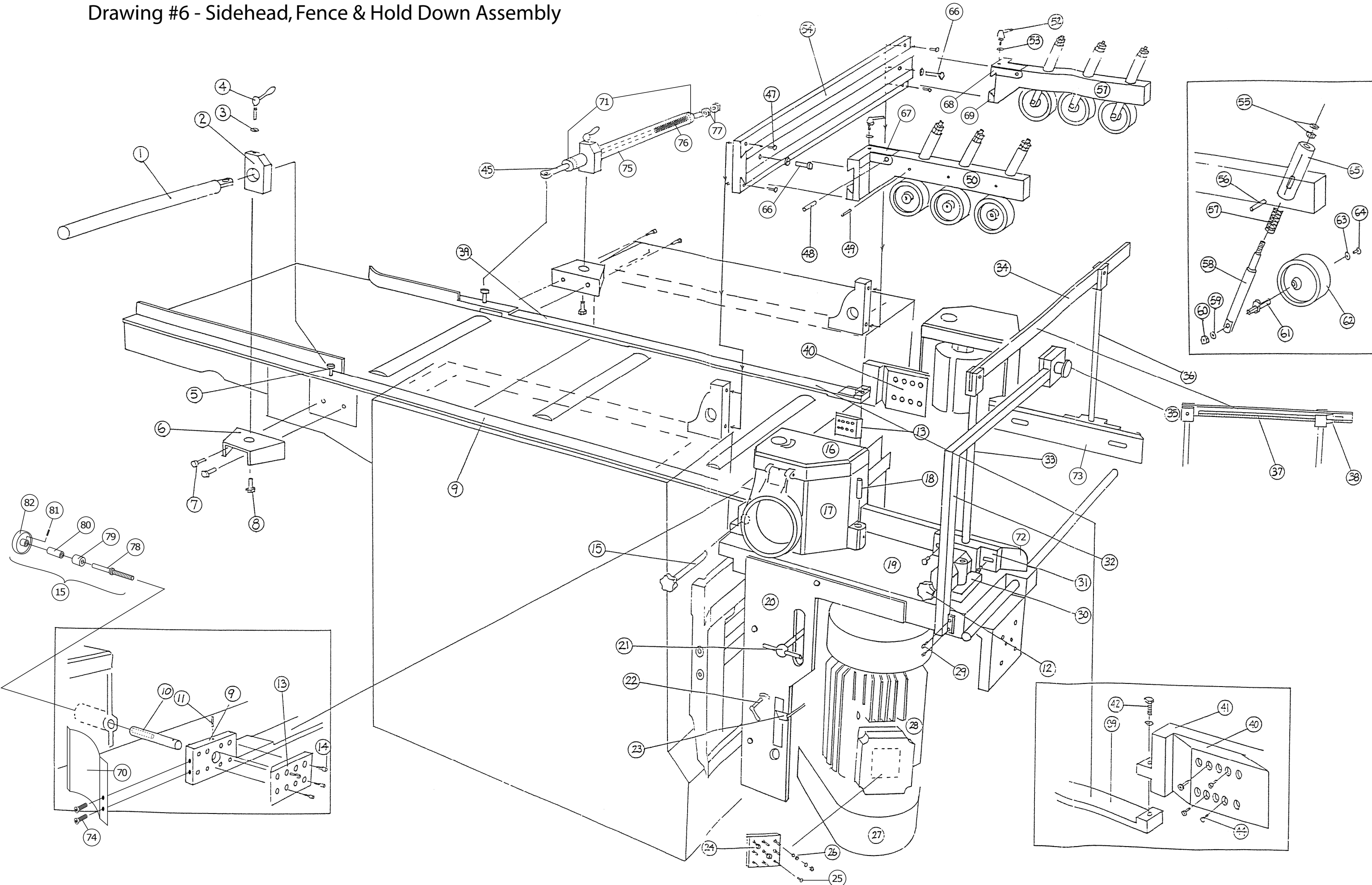
DRAWING #5
MF SIDEHEAD ASSEMBLY

1.	P-8889	RT SIDEHEAD LEAD SCREW
2.	P-8890	LT SIDEHEAD LEAD SCREW
3.	P-878	SIDEHEAD ADJ. GEAR & SHAFT
4.	M8X80	BOLT (4)
5.	P-29123	BUSHING
6.	P-220057	SPRING
7.	P-29124	PIN
8.	P-877	SIDEHEAD ADJ. GEAR (2)
9.	6X40M	PIN
10.	P-22X38X1.5	THRUST WASHER
11.	P-29099	THUMB SCREW (KNOB)
12.	M8	NUT
13.	MB2020D	BUSHING
14.	M10X16	BOLT
15.	M10	NUT
16.	P-220017	SPRING
17.	8MM	DETENT BALL
18.	P-31015	SIDEHEAD LOCK SCREW NUT (2)
19.	P-30985	PIN SIDEHEAD POINTER
20.	P-KLM8X60	LOCKING HANDLE
21.	P-955	SIDEHEAD LOCK HANDLE
22.	P-956	SIDEHEAD LOCK SHAFT
23.	P-220005	SIDEHEAD LOCK SPRING
24.	P-50116	SIDEHEAD LOCK COLLAR
25.	P-953A	SIDEHEAD LOCK ASSEMBLY

26.	P-29116	SIDEHEAD HEIGHT POINTER W/P30985(LT)
	LT	
26.	P-29117	SIDEHEAD HEIGHT POINTER
	RT	
27.	P-7861	GREASE FITTING EXT.
28.	M-8X40	HEX BOLT
29.	P-13525	WEDGE FOR GIB
30.	M8X35	BOLT
31.	P-650430	SIDEHEAD SPINDLE NUT (LT)
	P-650431	
32.	P-650434	SIDEHEAD BEVEL SPACER TOP & BOTTOM (CONE)
33.	P-350057	GIBB BOLT
34.	P-50853-8	GIBB
35.	T-SB8	KNIVES
36.	T-650425	8" SIDE HEAD
37.	M4X10	TAPERED ALLEN CAP BOLTS
38.	P-8935	SIDEHEAD FAN
39.	P-8936	SIDEHEAD SPINDLE NUT
40.	M10X12	BOLT
41.	P-3827	BEARING RETAINING NUT
42.	P-7527	SPINDLE COVER (TOP)
43.	B-6212	BEARING (TOP)
44.	P-2544	SIDEHEAD SPINDLE SPACER W/GREASE GROOVES TOP
45.	P-31077	SIDEHEAD SPINDLE HOUSING (RT)
	P-31078	
46.	P-28332	SIDEHEAD SPINDLE (LT)
	P-28333	
		SIDEHEAD SPINDLE (RT)

47.	14X9X40	KEY
48.	P-3826	BEARING SPACER, GREASE RETAINING
49.	P-6309	BELLVILLE SPACER SPRING
50.	B-6309	SIDEHEAD SPINDLE BEARING (BOT)
51.	P-6309AV	SIDEHEAD SPINDLE BEARING SHEILD (BOT)
52.	P-50257	SIDEHEAD SPINDLE BEARING COVER
53.	P-8957	SHEAVE SPINDLE 135MM OD 2 GROOVES
53.	P-650574	SHEAVE SPINDLE 125MM OD 2 GROOVES
53.	P-650718	SHEAVE SPINDLE 125MM OD 3 GROOVES
54.	P-52569	WASHER
55.	M16X40LH	TAPERED ALLEN CAP BOLT
56.	V-SPZ950	SIDEHEAD BELTS (12HP)
57.	P-30523	SIDEHEAD BELT GUARD (RT)
	P-30524	
58.	M6X10	ALLEN CAP BOLT
59.	P-30982	BELT TENSIONER EYEBOLT
60.	P-30983	PIN
61.	M12	NUT
62.	P-53216	SPACER, BELT ADJUSTMENT
63.	P-30980	PIVOT BLOCK
64.	P-30977	MOUNT BRACKETS (RT) BELT TENSIONER
	P-30978	
65.	P-31041	MOTOR MOUNT

Drawing #6 - Sidehead, Fence & Hold Down Assembly

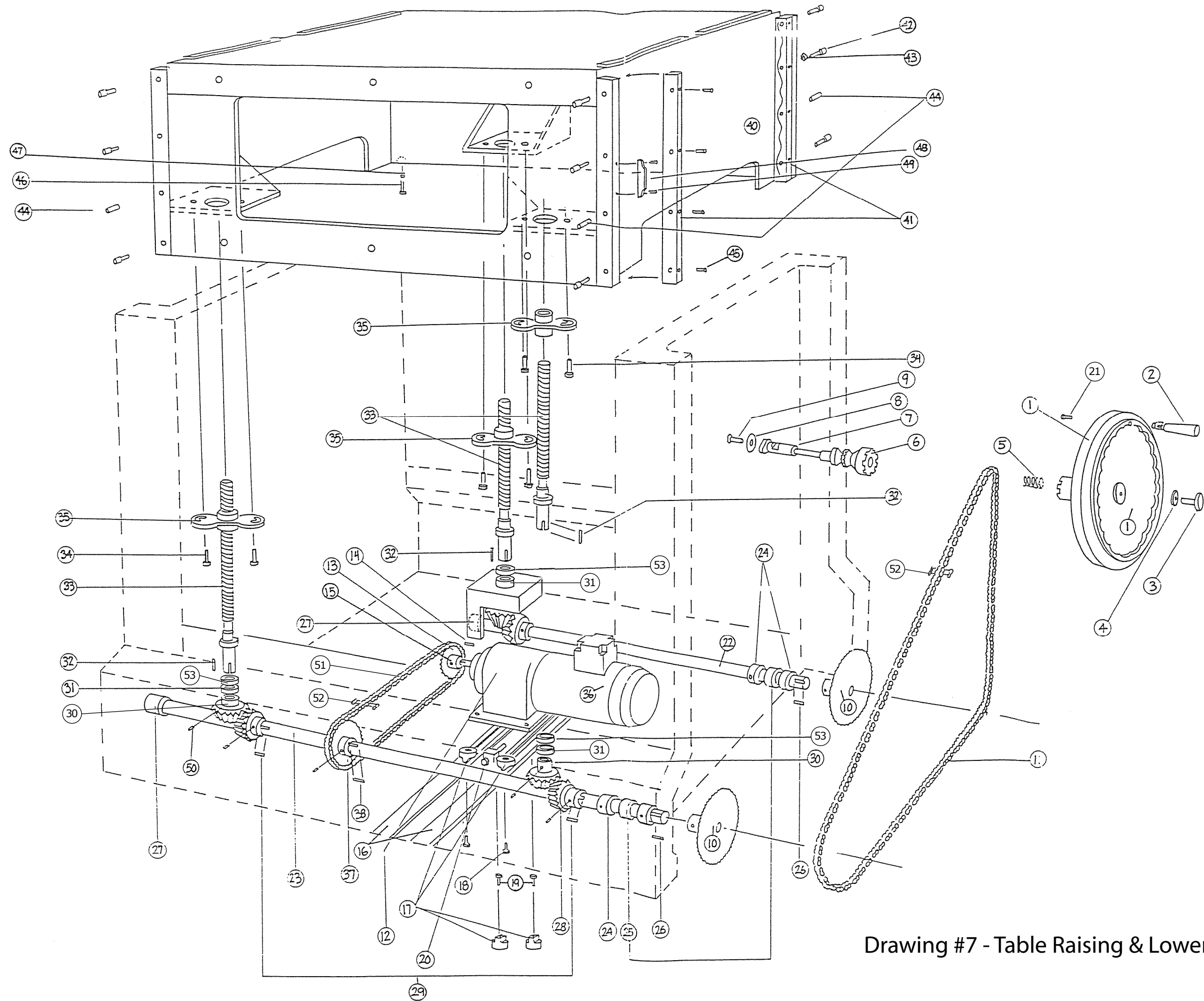


DRAWING #6
MF SIDEHEAD, FENCE & HOLD DOWN ASSEMBLY

1.	P-30160	INFEED FENCD ADJ. SHAFT (RT)
2.	P-804	INFEED FENCE ADJ. SHAFT PIVOT BLOCK
3.	M12	WASHER
4.	P-52301 P-8921	LOCK HANDLE
5.	P-8768-B1	BOLT, FENCE ATTACHING
6.	P-8766	INFEED FENCE ADJ. SHAFT MOUNT
7.	M10X25	BOLT
8.	P-767	SHOULDER BOLT
9.	P-8768 P-650396	FENCE (RT) THIN FENCE (RT)
10.	P-31020	FENCE ADJ. SHAFT (RT OUTFEED)
11.	M8X15	SHCS
12.	P-8731	OUT FENCE ADJ. HANDLE & SHAFT (OUTFEED)
13.	P-977	FENCE WEAR PLATE (RT)
14.	M8X15	ALLEN CAP BOLT
15.	P-8731A	RH DEPTH OF CUT ADJUST KNOB ASSEMBLY
16.	P-28326	SIDEHEAD COVER
17.	P-650304 P-650305	SIDEHEAD HOUSING ASSEMBLY (RT) SIDEHEAD HOUSING ASSEMBLY (LT)
18.	P-947	SIDEHEAD HOUSING PIVOT PIN (RT)
19.	P-31073	SIDEHEAD TABLE (RT)
20.	P-31653	SIDEHEAD PANEL (RT)
21.	P-956	SIDEHEAD LOCK HANDLE
21A	P-953A	SIDEHEAD LOCK HANDLE ASSEMBLY
22.	P-KLM8X60	SIDEHEAD LOCK HANDLE (UP & DOWN GIBB)
23.	P-29117	SIDEHEAD POINTER (LT UP & DOWN SCALE)

24.		ELECTRICAL BLOCK IN MOTOR
25.		BOLT THAT HOLDS ELECTRICAL BLOCK
26.		NUT FOR ELECTRICAL TERMINALS
27.	P-30524A P-30523A	LEFT SIDEHEAD BELT GUARD RIGHT SIDEHEAD BELT GUARD
28.	M-9-3600 M-12-3-3600	"T" FRAME 9 H.P. MOTOR "T" FRAME 12 H.P. MOTOR
29.	M6X20	ALLEN CAP BOLT
30.	P-8740A	SIDEHEAD FENCE ADJ. HOUSING (OUTFEED)
31.	P-8931	OUTFEED FENCE MOUNT & SHAFT
32.	P-31646	EMERGENCY STOP ARM
33.	P-904728402	REAR WIDTH SCALE MOUNT & PIVOT
34.	P-8876A	REAR WIDTH SCALE
35.	E-XB4BS542	EMERGENCY STOP BUTTON
36.	P-904728401	REAR WIDTH SCALE MOUNT & POINTER
37.	P-100222	REAR WIDTH SCALE
38.	P-988	REAR WIDTH POINTER
39.	P-29154 P-650397	FENCE (LT) THIN FENCE (LT)
40.	P-8746	WEAR PLATE (LT OUTFEED)
41.	P-29149	WEAR PLATE MOUNT (LT OUTFEED)
42.	P-31662	SHOULDER BOLT (OLD PART# P-29150)
44.	M10X20	ALLEN CAP BOLT
45.	P-29151	EYE BOLT, LEFT FENCE MOUNT
47.	M10X30	LOW ALLEN CAP BOLT
48.	P-29146	PIVOT PIN
49.	8X10MM	SET SCREW
50.	P-30032A	HOLD DOWN (RT)
51.	P-30033A	HOLD DOWN (LT)

52.	P-KLM-10X50	LOCKING HANDLE
53.	M10	WASHER
54.	P-29142NEW	DOVETAIL
55.	M12	NUT
56.	4X8MM	SCREW
57.	P-220011	SPRING
58.	P-30343	SPRINGLOADED WHEEL MOUNT SHAFT
59.	M12	LOCK WASHER
60.	M12	NUT
61.	P-28398	WHEEL PIN
62.	P-29093 P-30340	WHEEL THIN WHEEL
63.	P-52954	TAPERED WASHER
64.	M6X14	TAPERED ALLEN BOLT
65.	P-30342	SPRING LOADED WHEEL MOUNT HOUSING
66.	M10X100	BOLT
67.	P-29140	RIGHT HOLD DOWN HINGE
68.	P-29141	LEFT HOLD DOWN HINGE
69.	P-30029	HOLD DOWN WEDGE
70.	P-31697	CHIP DEFLECTOR
71.	P-8784	SPRING RETAINER
72.	P-31644	FENCE, OUTFEED, RIGHT SIDE
73.	P-31645	FENCE, OUTFEED, LEFT SIDE
74.	M6X16	SHCS
75.	P-8783A	SPRING LOADED FENCE ADJ SHAFT ASSY.
76.	P-220006	SPRING, LEFT FENCE
77.	M12	JAM NUTS (2)
78.	P-8731	THREADED ADJUSTING SHAFT
79.	P-978	LOCK SPACER
80.	P-53275	SPACER
81.	4X22MM	SPLIT-DOWEL SPRING PIN
82.	P-50011	KNOB

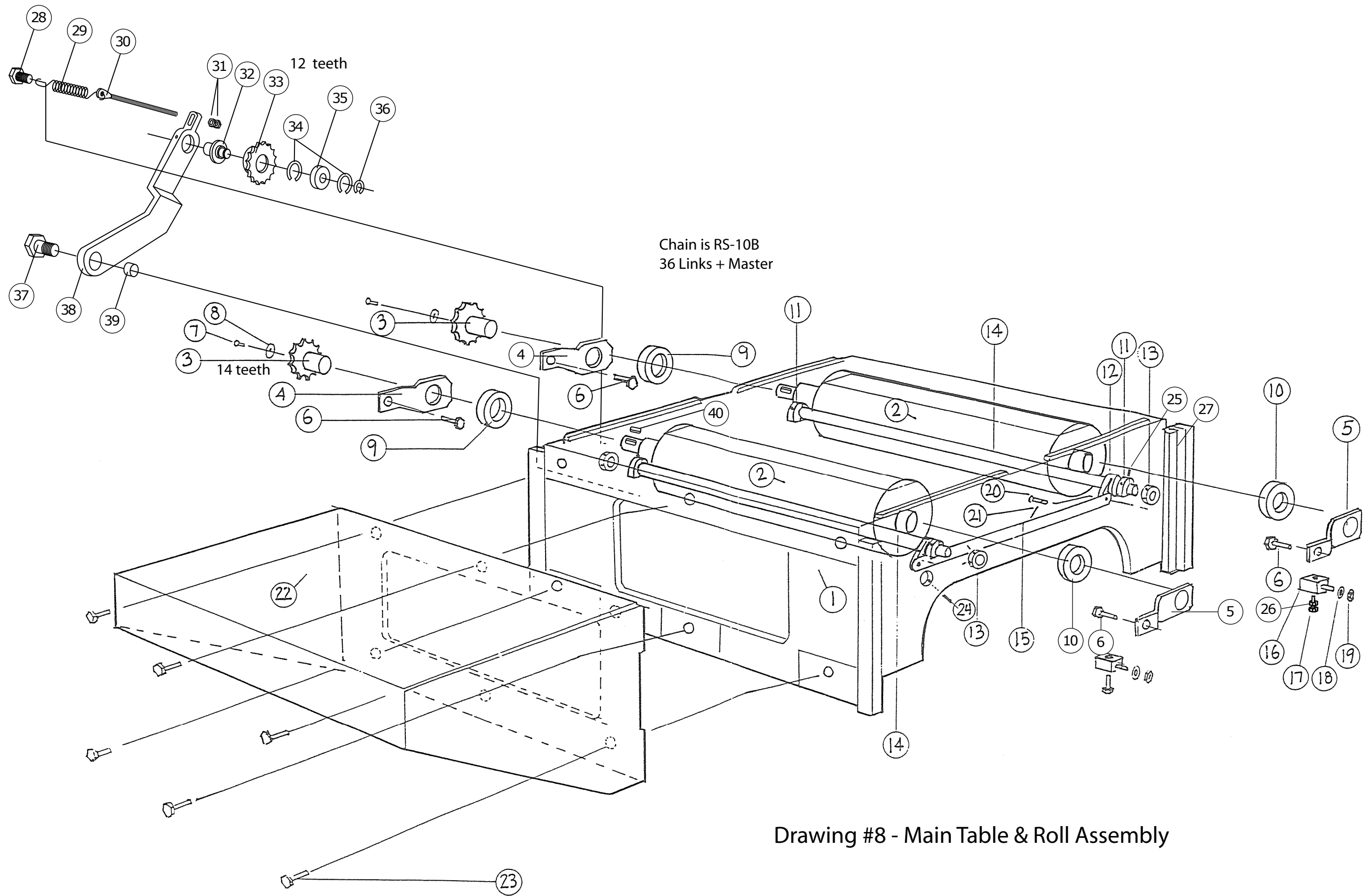


Drawing #7 - Table Raising & Lowering Assembly

DRAWING #7
MF TABLE RAISING & LOWERING ASSEMBLY

1.	P-28355A	TABLE UP & DOWN HAND WHEEL
2.	P-7980A	FOLDING HANDLE
3.	P-53524	KNOB
4.	P-50761	WASHER
5.	P-220063	SPRING
6.	P-746	HAND WHEEL RACHET
7.	P-8726	HAND WHEEL RACHET SHAFT
8.	P-50761	WASHER
9.	M10X25	BOLT
10.	P-789	TABLE UP & DOWN SPROCKET
11.	RS8B	CHAIN (89 LINKS ?)
12.	M-.66KW	TABLE UP & DOWN GEAR BOX
13.	P-24315	TABLE UP & DOWN GEAR BOX SPROCKET (25mm ID)
	P-24315-20	TABLE UP & DOWN GEAR BOX SPROCKET (20mm ID)
	P-40154	TABLE UP & DOWN GEAR BOX SPROCKET (19mm ID)
14.	8X7X30	KEY
15.	M8X10	SET SCREW
16.	P-650234	TABLE UP & DOWN MOTOR ADJ/ RAILS
17.	P-650236	SLIDE NUTS
18.	M10X35	BOLTS
19.	M10X35	BOLTS
20.	M12X80	BOLT (W/M12 NUT)
21.	M6X1X16	SOCKET HEAD CAP SCREW
22.	P-29076	TABLE UP & DOWN SHAFT (SHORT)
23.	P-29078	TABLE UP & DOWN SHAFT (LONG)
24.	P-8894	COLLARS
25.	30X34X16	FLANGED TRFLON BUSHING
26.	8X7X32	KEY
27.	MB-GY3016	TEFLON BUSHING

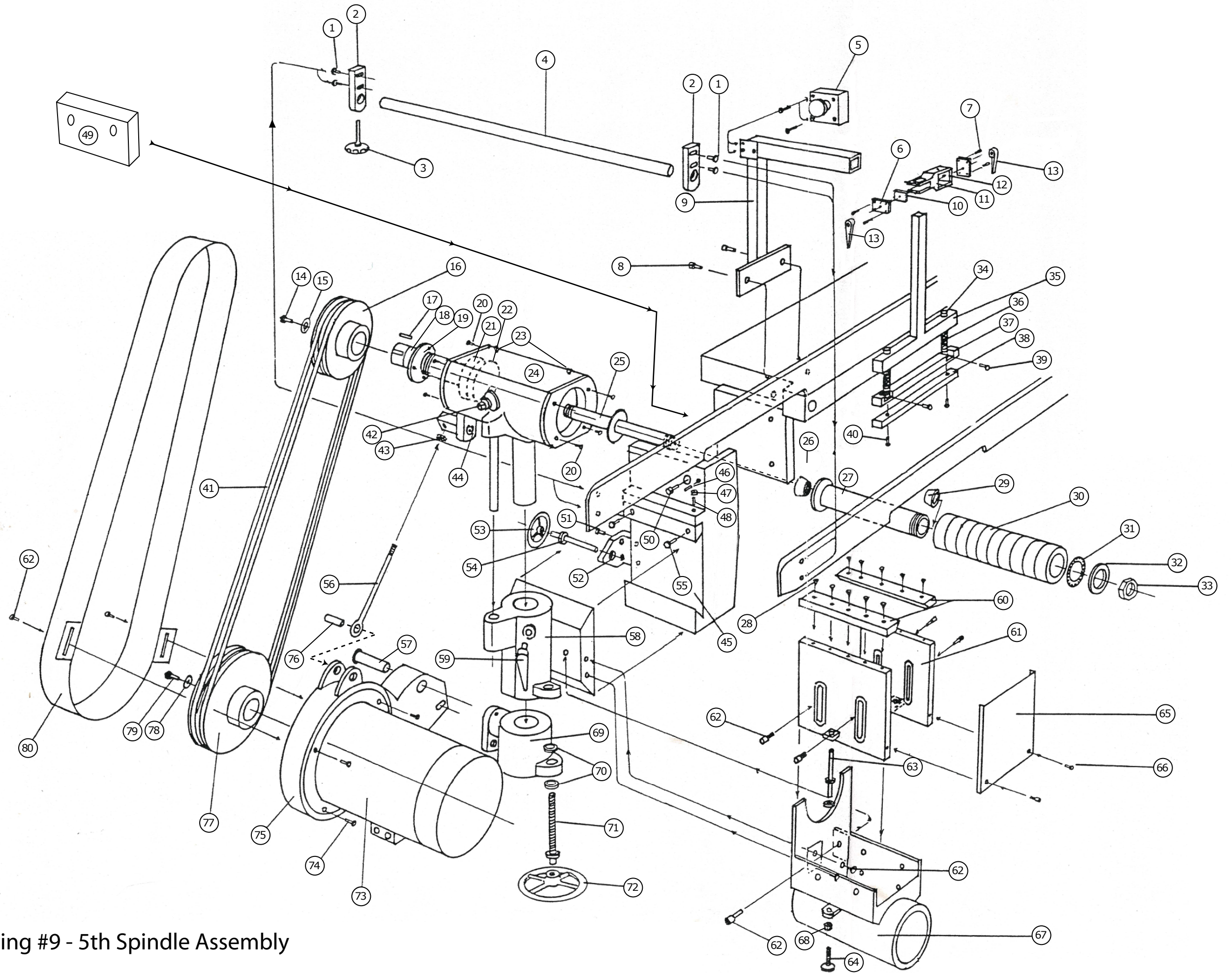
28.	P-609	TABLE UP & DOWN GEAR (ON SHAFT)
29.	8X7X63	KEY
30.	P-569	TABLE UP & DOWN GEAR (ON SCREW)
31.	B-51106	THRUST BEARING
32.	8X7X36	KEY
33.	P-8732	TABLE UP & DOWN SCREW
34.	M12X40	BOLT
35.	P-8733	TABLE UP & DOWN NUT
36.	M-.66KW-1800	TABLE UP & DOWN MOTOR
37.	P-650283	TABLE UP & DOWN SHAFT SPROCKET
38.	8X7X63	KEY
39.	P-950091	TABLE UP & DOWN SCREW RUBBER BOOT
40.	P-8941	MF MAIN TABLE
41.	P-8984	MAIN TABLE GIBB
42.	M10X40	BOLT
43.	M10	NUT
44.	10X15?	ALLEN SET SCREW
45.	M10X35	BOLT
46.	M12X80	BOLT
47.	M12	NUT
48.	P-32904	BRACKET LIMIT SWITCH
49.	M6X20	BOLT
50.	M10X20	CONE-TIP SET SCREW
	M8X20	CONE-TIP SET SCREW
51.	RS8B	UP & DOWN MOTOR CHAIN
52.	RS8BCL	MASTER LINK
53.	P-24435	THRUST BEARING SHIELD



Drawing #8 - Main Table & Roll Assembly

DRAWING #8
MF TABLE RAISING & LOWERING ASSEMBLY

1.	P-8941	MAIN TABLE
2.	P-28347	BOTTOM OUT FEED ROLL
3.	P-30053	BOTTOM OUT FEED ROLL SPROCKET
4.	P-28346	BOTTOM OUT FEED ROLL SUPPORT ARM (RT)
5.	P-8704	BOTTOM OUT FEED ROLL SUPPORT ARM (LT)
6.	P-574	SUPPORT ARM PIVOT BOLT
7.	M8X20	TAPERED ALLEN CAP BOLT
8.	P-52956	WASHER
9.	B-6205-2RS	BOTTOM OUT FEED ROLL BEARING (RT)
10.	B-6204-2RS	BOTTOM OUT FEED ROLL BEARING (LT)
11.	P-777	BOTTOM FEED ROLL CAM
12.	P-580	CONNECTING BAR CONNECTOR CAM PIVET
13.	20MM	COLLAR
14.	P-8877	SHAFT CAM SUPPORT
15.	P-778	BOTTOM FEED ROLL CONNECTING BAR
16.	P-773	BLOCK FOR STOP BELT
17.	P-350035	STOP BELT HEIGHT
18.	M16	WASHER
19.	M16	NUT
20.	P-900	PIN FOR PIVOT ON CONNECTING BAR
21.		COTTER PIN
22.		OUT FEED TABLE
23.	M16-16X2	ALLEN BOLTS
24.	M6	SET SCREW
25.	M8	SET SCREW
26.		JAM NUT
27.	P-8983	GIB, MAIN TABLE
28.	M10X50	HEX BOLT
29.	P-200009	SPRING
30.	P-29087	EYE BOLT; BOTTOM FEED ROLL TENSIONER
31.	M6	NUTS
32.	P-30044	BEARING SHAFT
33.	P-30048	SPROCKET
34.	26mm	INTERNAL SPRING CLIPS
35.	B-6001-2RS	BEARING
36.	12mm	EXTERNAL SPRING CLIP
37.	P-30050	SHOULDER BOLT
38.	P-30049	IDLER ARM
39.	1210	BUSHING
40.	8X7X36MM	MACHINE KEY



Drawing #9 - 5th Spindle Assembly

DRAWING #9
MF 5TH SPINDLE ASSEMBLY

1.	M10X40	SHCS
2.	P-16040	SUPPORT, ROD
3.	P-53520	KNOB, ROD SUPPORT LOCKING, M10
4.	P-888	GUIDE ROD*
5.	E-XAL-J174	E-STOP ASSEMBLY
6.	P-3500	PLATE, HOLD DOWN LOCK*
7.	M6 X 20	SHCS
8.	M8 X 20	HEX BOLT
9.	P-34992	ARM, HOLD DOWN SUPPORT
10.	P-35003	WEDGE, HOLD DOWN LOCK
11.	P-34991	HOLD DOWN VERTICAL LOCK HOUSING
12.	P-35001	BACKPLATE, VERTICAL LOCK HOUSING
13.	P-KLM-8X40	LOCKING HANDLE
14.	M12 X 35	HEX BOLT
15.	P-51570	WASHER, PULLY RETAINER
16.	P-8958	SHIEVE, SPINDLE *
17.	P-51057	KEY, 10X8X40mm *
18.	P-16002	SPACER, SPINDLE, PULLEY SIDE
19.	P-16030	BEARING NUT, PULLEY SIDE
20.	M6 X 20	THCS
21.	P-6208	BEARING
22.	P-6309	SPRING DISK
23.	1/8"	GREASE FITTINGS
24.	P-16014	SPINDLE HOUSING
25.	P-38428	ARBOR
26.	P-16017	INBOARD CONE*
27.	P-16018	SAW SLEEVE
28.	M6 X 25	THCS
29.	P-16021	OUTBOARD CONE*
30.	ASSORTED	SLEEVE SPACERS

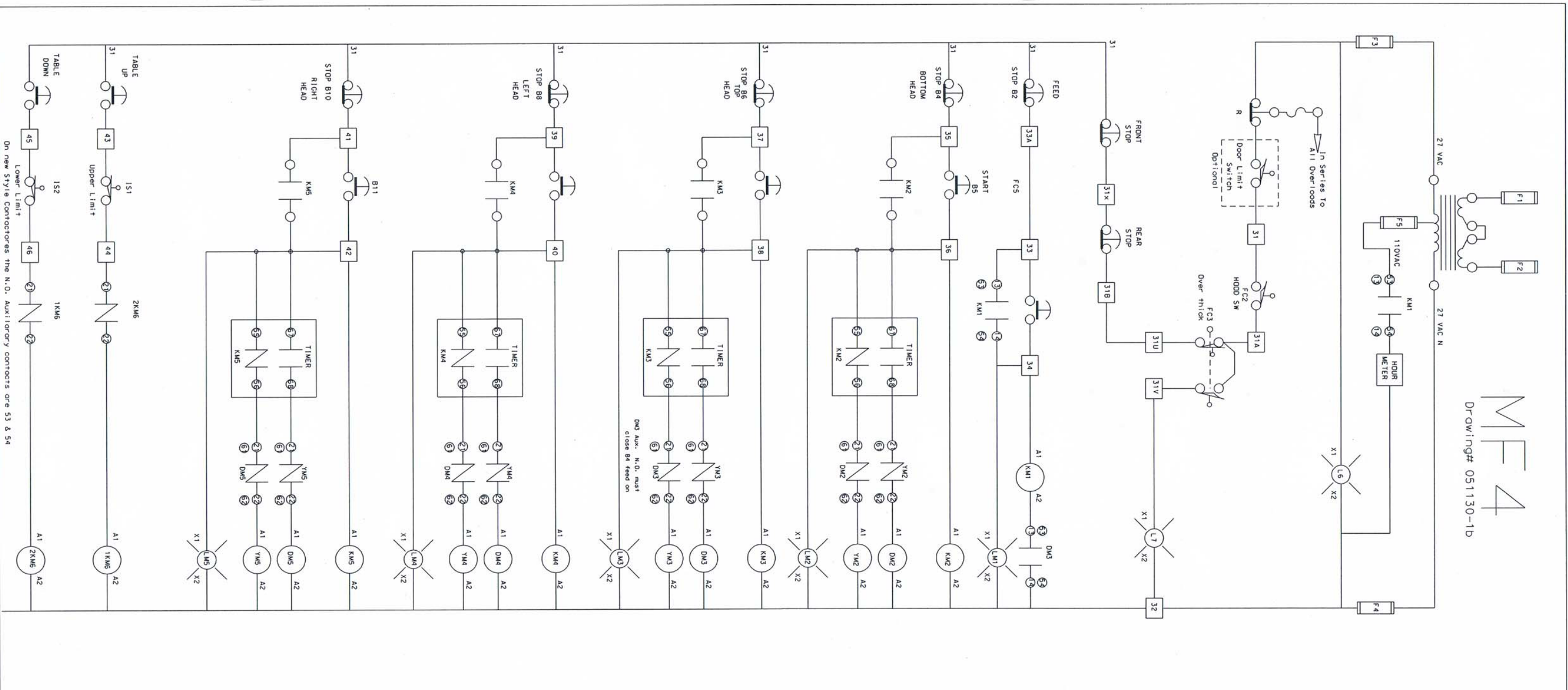
31.	P-MB12	WASHER, TAB LOCK
32.	P-KM12	NUT, SLEEVE
33.	P-37721	NUT, ARBOR
34.	P-35013	HOLD DOWN SHAFT*
35.	P-34999(A)	HOLD DOWN FRAME
36.	P-220129	SPRING* 1.5 X 16 X 5.5 X 60
37.	P-35007	HOLD DOWN BAR*
38.	P-35008	PHENOLIC SHOE
39.	P-35011	SHOULDER BOLT* M8 X 10 X 8
40.	M6 X 20	THCS
41.	V-SPZ1320	BELTS
42.	P-16004A	SPINDLE LOCK ASSEMBLY
43.	M16	HEX NUT
44.	20MM	EXT. SNAP RING
45.	P-16013	HORIZONTAL ADJUSTER MOUNT
46.	M8 X 40	SET SCREW
47.	M8	HEX NUT
48.	M8 X 30	SET SCREW
49.	P-34990	SPACER PLATE
50.	M16X75	HEX BOLT & LOCK WASHER
51.	M12X50	HEX BOLT
52.	P-16027	ADJUSTER SHAFT MOUNT*
53.	P-51891	HAND WHEEL
54.	P-16032	HORIZONTAL ADJUSTMENT SCREW
55.	M8 X 35	HEX BOLT
56.	P-16001	EYE BOLT, BELT TENSIONER
57.	P-16010	PIVOT PIN
58.	P-35029	DOVETAIL CASTING
59.	P-16023A	LOCK ASSEMBLY
60.	P-34979	PHENOLIC PLATES

61.	P-34981	SUPPORT PLATE
62.	M12X25	SHCS
63.	P-35017	SUPPORT PLATE ADJUSTMENT SHAFT *
64.	M6 X 10	KNOB
65.	P-34980	COVER PLATE *
66.	M6 X 10	KNOB
67.	P-34982	DUST COLLECTOR CASTING
68.	P-53272	SPACER *
69.	P-16025	VERT. ADJUSTER MOUNT CASTING
70.	B-51104	THRUST BEARING
71.	P-16024	VERT. ADJUSTER SHAFT
72.	P-51891	HANDWHEEL
73.	M-(HP)	MOTOR
74.	M12X35	SHCS
75.	P-16009	MOTOR MOUNT
76.	P-16007	BELT TENSIONER PIN
77.	P-8959	SHIEVE, MOTOR *
78.	P-51570	WASHER
79.	M12X35	HEX BOLT
80.	P-16008	BELT GUARD
81.		
82.		
83.		
84.		
85.		
86.		
87.		
88.		
89.		
90.		

* Not in System

MFE 4

Drw'ing# 051130-1D



Index to MF Wiring Diagram (122302)

- FUSES
- F1 FUSE PRIMARY/TRANSFORMER
- F2 FUSE PRIMARY/TRANSFORMER
- F3 FUSE SECONDARY/TRANSFORMER
- F4 FUSE SECONDARY/TRANSFORMER
- F5 FUSE HOUR METER
- FM1 FEED MOTOR FUSES (3)
- FM2 BOTTOM HEAD MOTOR FUSES (3)
- FM3 TOP HEAD MOTOR FUSES (3)
- FM4 LEFT SIDE HEAD MOTOR FUSES (3)
- FM5 RIGHT HEAD MOTOR FUSES (3)
- FM6 POWERED TABLE MOTOR FUSES (3)
- FM7 GANG SAW MOTOR FUSES (3)

- START/STOP SWITCHES
- RSTOP REAR E-STOP SWITCH
- FSTOP FRONT E-STOP SWITCH
- B2 FEED STOP SWITCH
- B3 FEED START SWITCH
- B4 BOTTOM HEAD MOTOR SWITCH
- B5 BOTTOM HEAD MOTOR SWITCH
- B6 TOP HEAD MOTOR SWITCH
- B7 TOPHEAD MOTOR SWITCH
- B8 LEFT SIDE HEAD MOTOR SWITCH
- B9 LEFT SIDE HEAD MOTOR SWITCH
- B10 RIGHT SIDE HEAD MOTOR SWITCH
- B11 RIGHT SIDE HEAD MOTOR SWITCH
- B12 TABLE UP SWITCH
- B13 TABLE DOWN SWITCH
- B14 GANG SAW SWITCH
- B15 GANG SAW SWITCH

- LIMIT SWITCHES
 - FC1 DOOR LIMIT SWITCH
 - FC2 MAIN COVER LIMIT SWITCH
 - FC3 FEED SYSTEM LIMIT SWITCH
 - FC4 ARBOR COVER LIMIT SWITCH
 - FC5 OUTFEED ROLL LIMIT SWITCH
 - IS1 TABLE UP LIMIT SWITCH
 - IS2 TABLE DOWN LIMIT SWITCH
- LIGHTS
 - L6 MAIN ENCLOSURE LIGHT
 - L7 OVERSIZE LUMBER LIGHT
 - LM1 FEED MOTOR LIGHT
 - LM2 BOTTOM HEAD MOTOR LIGHT
 - LM3 TOP HEAD MOTOR LIGHT
 - LM4 LEFT SIDE HEAD MOTOR LIGHT
 - LM5 RIGHT SIDE HEAD MOTOR LIGHT
 - LM7 GANG SAW MOTOR LIGHT

- OVERLOADS
 - R DESIGNATES OVERLOADS
 - RM1 FEED MOTOR OVERLOAD
 - RM2 BOTTOM HEAD MOTOR OVERLOAD
 - RM3 TOP HEAD MOTOR OVERLOAD
 - RM4 LEFT SIDE HEAD MOTOR OVERLOAD
 - RM5 RIGHT SIDE HEAD MOTOR OVERLOAD
 - RM6 TABLE UP/DOWN MOTOR OVERLOAD
 - RM7 GANG SAW MOTOR OVERLOAD
- MOTORS
 - M1 FEED MOTOR
 - M2 BOTTOM HEAD MOTOR
 - M3 TOP HEAD MOTOR
 - M4 LEFT SIDE HEAD MOTOR
 - M5 RIGHT SIDE HEAD MOTOR
 - M6 TABLE UP/DOWN MOTOR
 - M7 GANG SAW MOTOR

- MOTOR CONTACTORS
- KM1 FEED MOTOR CONTACTOR
- KM2 BOTTOM HEAD MOTOR (RUN CIRCUIT)
- DM2 BOTTOM HEAD MOTOR (RUN CIRCUIT)
- YM2 BOTTOM HEAD MOTOR (START CIRCUIT)
- KM3 TOP HEAD MOTOR (RUN CIRCUIT)
- DM3 TOP HEAD MOTOR (RUN CIRCUIT)
- YM3 TOP HEAD MOTOR (START CIRCUIT)
- KM4 LEFT SIDE HEAD MOTOR (RUN CIRCUIT)
- DM4 LEFT SIDE HEAD MOTOR (RUN CIRCUIT)
- YM4 LEFT SIDE HEAD MOTOR (START CIRCUIT)
- KM5 RIGHT SIDE HEAD MOTOR (RUN CIRCUIT)
- DM5 RIGHT SIDE HEAD MOTOR (RUN CIRCUIT)
- YM5 RIGHT SIDE HEAD MOTOR (START CIRCUIT)
- 1KM6 TABLE UP CONTACTOR
- 2KM6 TABLE DOWN CONTACTOR
- KM7 GANG SAW (RUN CIRCUIT)
- DM7 GANG SAW (RUN CIRCUIT)
- YM7 GANG SAW (START CIRCUIT)